

ELITE SOLDAmaq EC User Manual



Version May 2023



THIS PAGE IS NOT WRITTEN INTENTIONALLY



1.FIRST STEPS

Congratulations on your purchase of the ELITE model SOLDAmaq EC band saw deburring machine.

Read this guide before you start.

The SOLDAmaq EC is a band saw deburring machine to remove the welding strip

This manual introduces you to the main functions of the deburring machine in order to avoid risks to your health or that may cause a breakdown or premature wear of the machine.

In case of any doubt, please contact us directly or one of our authorized distributors.

Informative Note: The use manual of the deburring machine described therein may present some variations in use as our machinery is subject to possible construction modifications, depending on the incorporation of technological advances in our deburring equipment.



2.SAFETY

2.1.Safety regulations

Carefully observe and apply the following safety rules, not respecting these rules may cause personal injury or damage to the machine itself.

The installation and maintenance of the machine described in this manual must be carried out only by operators who are familiar with its operation and have sufficient technical knowledge.

The ELITE SOLDAmaq EC model range have been designed for removing the welding burr from band saws.



DANGER HIGH VOLTAGE



DANGER OF ACCIDENT



DANGER DUE TO SPARK PROJECTION



WEAR PROTECTIVE SHOES



DANGER FROM SHARP TOOLS



USE HEARING PROTECTORS

These warnings do not include all possible risks that improper use of the machine could cause. For this reason, the operator must proceed with prudence and observing the rules.



2.2. Use and storage of the instruction manual

This instruction manual must be read and understood by all personnel who come into contact with the machine.

This manual is for:

- Indicate the correct use of the machine according to the type of work to be carried out.
- Provide the necessary instructions for the transport, adjustment and maintenance of the machine.
- Facilitate the ordering of spare parts and information of risks.

Limits of use of the manual:

The machine is intended for professional use and therefore the experience of the operator is required and of vital importance.

Importance and conservation of the manual:

This manual must be considered part of the machine and must therefore be attached to it until the end of its use.

Additional information and clarifications:

The user, owner or maintenance person can contact the manufacturer to request any additional information on the use of the machine and possible modalities for maintenance and repair intervention.

Expiration of responsibility:

The manufacturer is considered exempt from any liability in the event of:

- Improper use of the machine
- Use of the machine by untrained persons
- Serious failures in scheduled maintenance
- Unauthorized interventions or modifications
- Use of non-original spare parts.



THIS PAGE IS NOT WRITTEN INTENTIONALLY



2.3. Declaration of conformity

The company hereby **Elite Sharpening Machines, SLU**
C/Joan Oró, 27
ES-08635 Sant Esteve Sesrovires

declares that the product indicated below, based on its conception and construction, as well as the version put on the market by our company, complies with the mandatory basic health and safety requirements of the CE directive.

This declaration loses its validity in the event of unauthorized modifications to the product.

Product name: ***ELITE SOLDAmaq EC***
Product type: ***Band saw deburring machine***
Serial No.: _____

EC Directive Competences:

- **EC Machinery Directive (2006/42/EC)**
- **European directive on electromagnetic compatibility (2014/30/EU)**
- **The protection purposes of the CE low voltage directive (2006/95/CE) were fulfilled according to annex I, nr. 1.5.1 of the machinery directive 2006/42/EC**

The technical documentation was compiled by Legal representative of the documentation:

Sergi Valls Gramunt
Joan Oró, 27
ES-08635 Sant Esteve Sesrovires

Date / manufacturer - Signature: _____

Signatory data: Sergi Valls Gramunt, manager



THIS PAGE IS NOT WRITTEN INTENTIONALLY



3. TECHNICAL DATA

In the following information table, find the list of technical specifications of the deburring machine described in this manual.

TECHNICAL CHARACTERISTICS	
Absorbed power	0,25 kW
Grinding wheel	80x50x20 mm.
Band saw blades width	10 - 60 mm.
Band saw minimal thickness	0,5 mm.
Net Weight	28 kg.



4. TRANSPORT

The ELITE SOLDAmaq EC is delivered packed in a wooden crate.

During all transport and transfer, the machine must be kept in its original vertical position, any variation in this position may lead to the loss of the guarantee.



Machine model	Dimensions (cm)	Weight (kg)
SOLDAmaq EC	43x42x63 cm.	38



4.1. Instructions for unpacking and setting up



The packaging is fixed to the pallet with fixing stops. Remove them before attempting to move it.



To unpack the deburring machine, first remove the wooden blocking pieces.



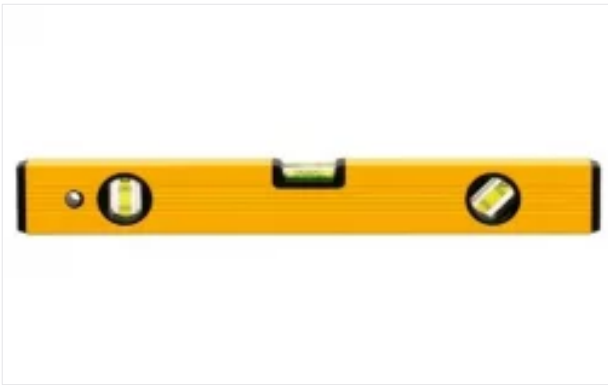
Then loosen the carriage fixing screw.



5.INSTALLATION

5.1.Machine placement

Before any work make sure that the machine is well aligned and does not oscillate at any of its ends, in which case it must be wedged to avoid movements. For its correct level it is necessary to use a leveling tool. This check must be carried out both longitudinally and transversally.



Poorly leveling the machine can cause unwanted vibrations and premature wear of the linear guides.



WARNING: The machine must not be used under any circumstances by unqualified or unauthorized personnel.



5.2. Electrical connection



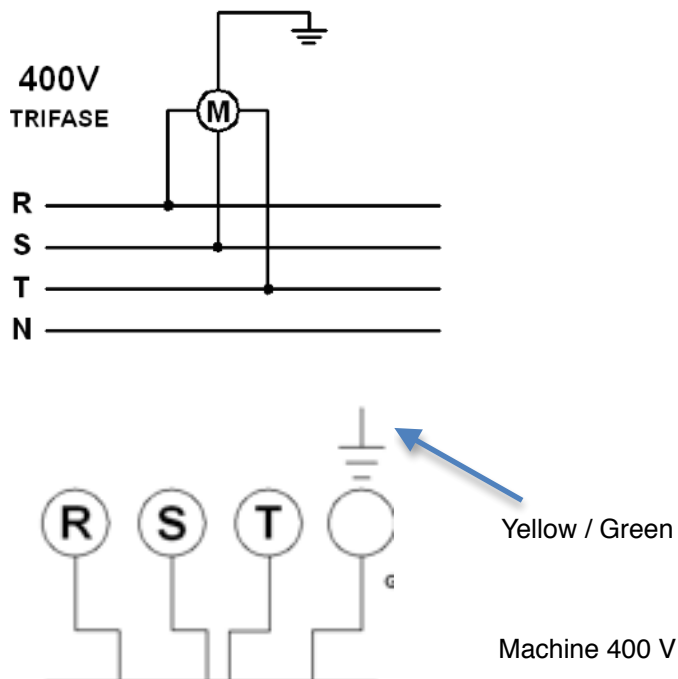
DANGER HIGH VOLTAGE!

The electrical connection of the machine must be carried out by qualified technical personnel only at the voltage indicated in the machine order / machine identification plate.

For any doubt about the voltage, consult the manufacturer before the connection.

Any claim for an incorrect connection will be out of warranty.

The ELITE SOLDAmaq EC deburring machine must be connected exclusively to a three-phase electrical power supply. The intermediate yellow-green wire (ground) must be connected exclusively to the ground wire.





WARNING: Check that the direction of rotation of the grinding wheel is that indicated by the arrow on the motor (looking at the motor from above, the direction must be clockwise).

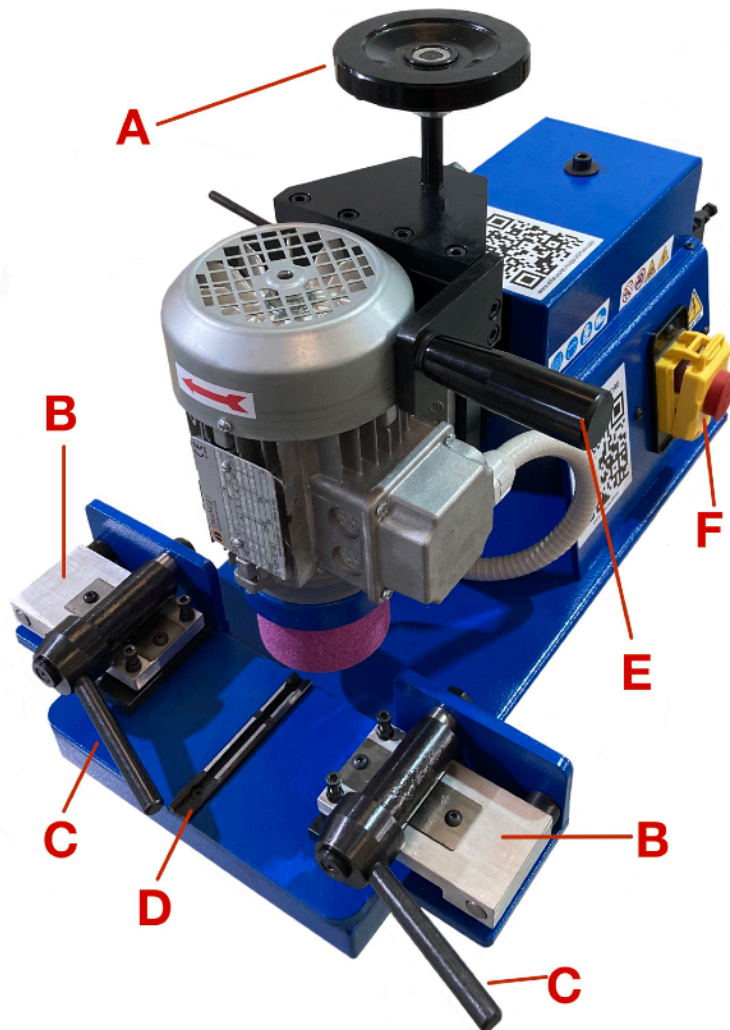
In case of wrong rotation, invert two of the three phases, modifying the electrical connection to the network.

All responsibility is declined in the event of an erroneous electrical connection or one that does not comply with current standards, which could cause, in addition to incorrect operation of the machine, damage to people, animals or things.

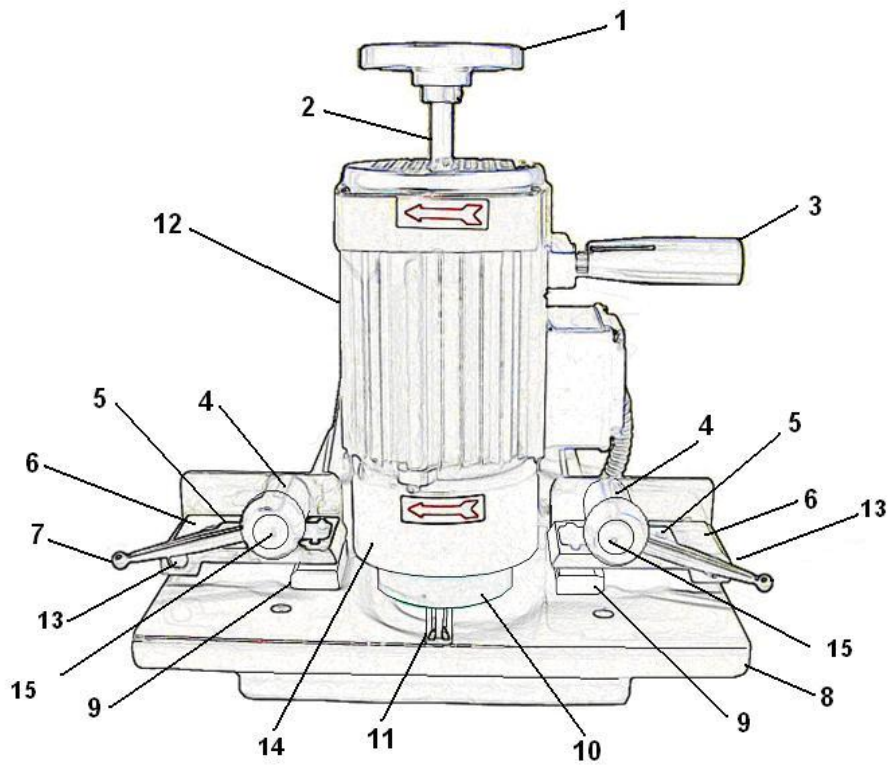
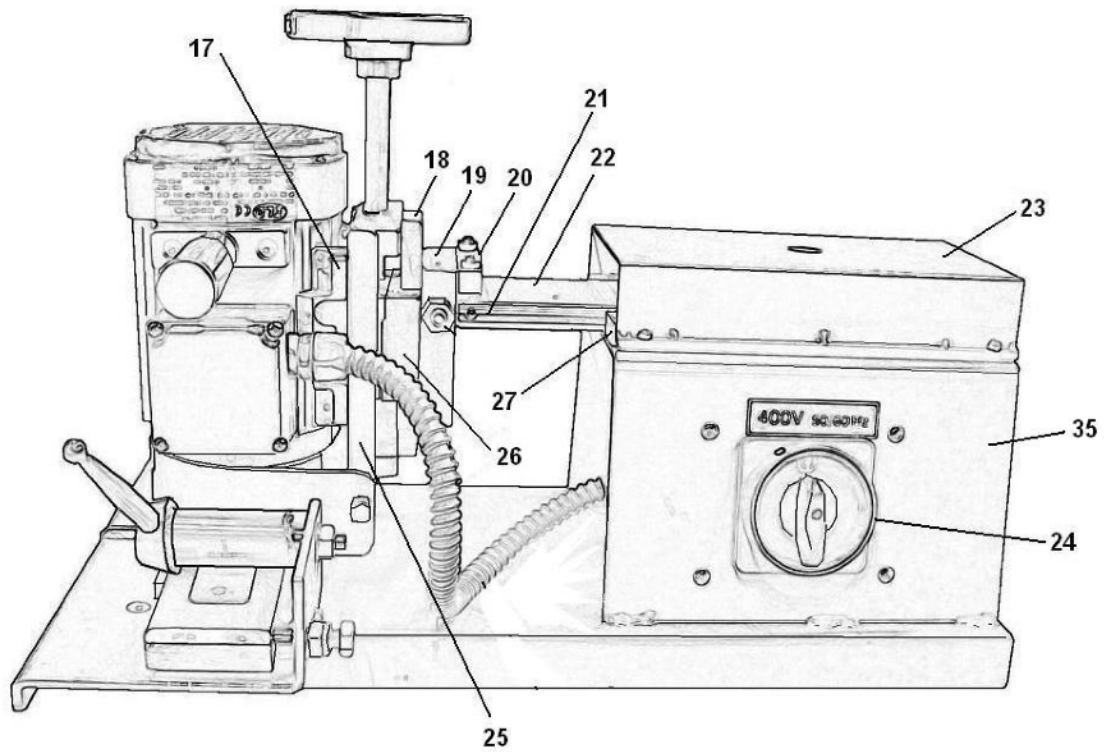
The welder can also be connected to a 230V three-phase network. It is necessary to change the connection of the motor connector.



5.3. Main components of the machine



- A. Grinding wheel height adjustment wheel
- B. Compression stops
- C. Compression stopper opening levers
- D. Guide
- E. Grinder Travel Handle
- F. ON/OFF switch





- 1 Steering wheel
- 2 Bolt
- 3 Handle
- 4 Eccentric
- 5 Tempered tape compression stops
- 6 Compression stop
- 7 Grinder holder
- 8 Bench
- 9 Plate for compression stop
- 10 Wheel
- 11 Grooved guide
- 12 Engine
- 13 Compression stop bolt
- 14 Wheel case
- 15 Eccentric pin
- 16 Space for compression stop bolt
- 17 Foot engine
- 18 Car
- 19 Trolley support
- 20 Regulation block
- 21 Tempered belts (Set 4 carriage + 4 fixed guides)
- 22 Mobile Guide
- 23 Guard covers
- 24 Switch
- 25 Engine support
- 26 Block
- 27 Fixed guide (pair)
- 28 Lower engine support block (110x25x12)
- 29 Upper engine support block (110x25x15)
- 30 Rotation bolt
- 31 Elastic tapes compression stops (pair)
- 32 Handle block
- 33 Ball distributor
- 34 Balls
- 35 Body
- 36 Upper grind case



www.elite.es/en/support/manuals/soldamaq-ec-user-manual

For more updated information and helpful videos on how to operate the machine, check our website www.elite.es